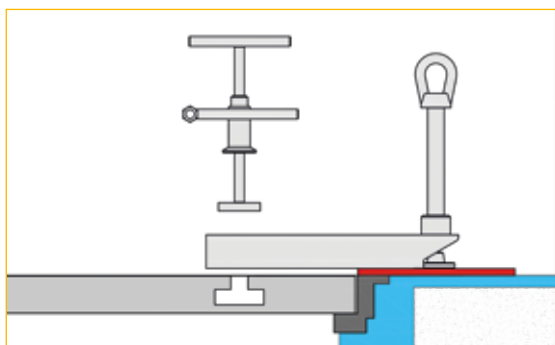
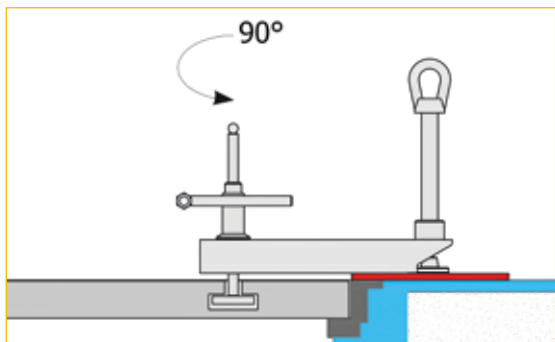


## SCREW EXTRACTOR FOR THE RELEASE OF BLOCKED AND OXIDIZED MANHOLES

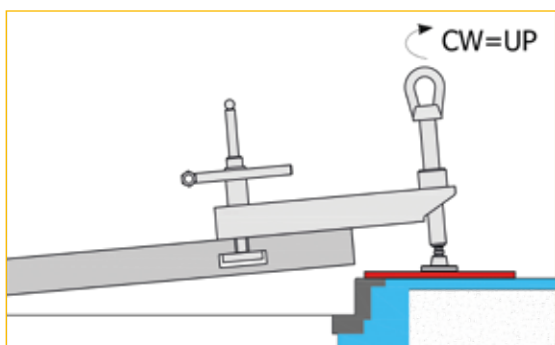
Safety aid that avoids dangerous hammering to unlock lids or manhole covers blocked by inactivity, rust, scale or deformation.



**Phase 1.** Insertion of the mechanical hook into the appropriate slot.



**Phase 2.** Rotating the mechanical hook and locking it.



**Phase 3** The clockwise rotation of the screw allows the initial release and unblocking of the lid.



Use with ITALIFTERS mechanical hooks.

### TECHNICAL CHARACTERISTICS

Code	K0278	
Weight without clamp	Kg	2,3
Length	cm	30