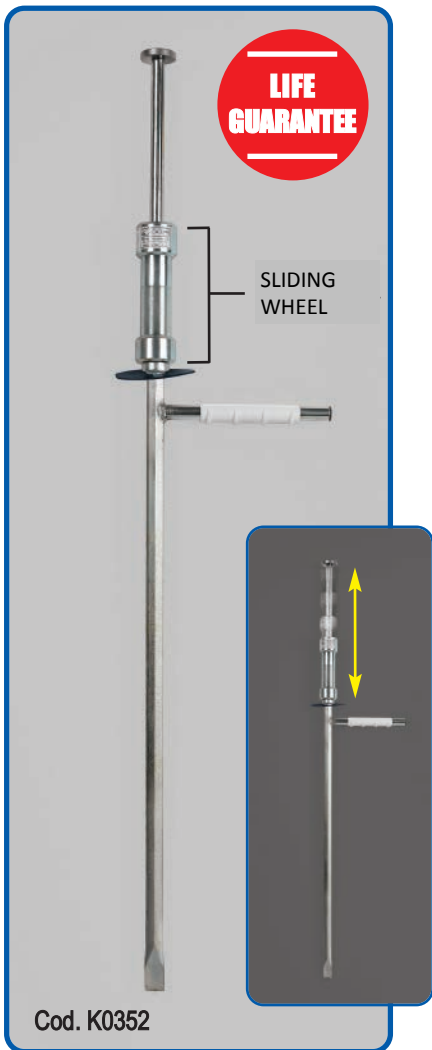


MZ120

SLIDING HAMMER FOR BREAKING INCRUSTATIONS THAT BLOCK THE COVERS ON THE FRAME OF MANHOLES PREVENTING REMOVAL



Practical and versatile tool designed to ease the removal of the cover from the manholes frame that are stuck by rust, ice, stones, asphalt incrustations and inactivity. The wedge penetration effect of the tip, between the frame and the cover, creates a strong lateral pushing force that splits easily the incrustations formed by sediments that block the opening, just a couple blows and the separation/detachment is done, fast, powerful and safe.

MZ120 offers ergonomic "Standing Up" operations (no more needed to get on the ground on your knees to hit the cover with hammers like usually can be seen, this is an uncomfortable/unsafe operation with possible chippings and splinters that can strike the worker face), the tapered tip is in hardened steel and it is the same used on pneumatic demolition breakers.

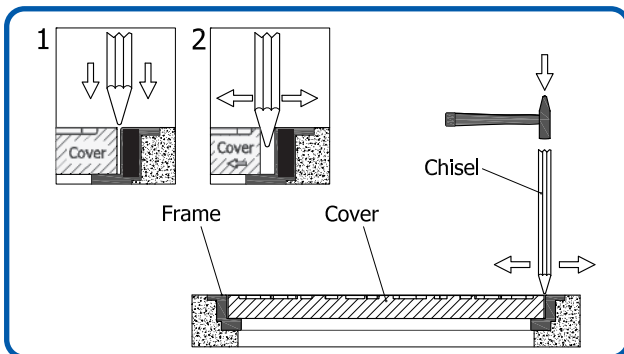
MAXIMUM VERSATILITY - Other uses of the tool are:

- 1 **Scraper** to strongly erase the hard layer of dirt that remains in the lower surface between the cover and frame to clean up and re obtain a plan contact surface.
- 2 **Cutter** to easily cut the asphalt layer that often cover the edge and ripen the contact line between the manhole cover and the frame to allow lifting
- 3 **Lever** to release the latch that blocks the round hinged covers and then to leverage for lifting like a pickaxe

MZ120 is a modern accessory that simplifies a seemingly simple operation like lifting a manhole cover, its use is ideal in combination with the magnetic cover lifters **CL10 - CL11 - PM500** and the other lifting tools.

MZ120 is an exclusive product of DOA srl with LIFE TIME WARRANTY

WEIGHT	Kg 8	LENGTH	cm 130
--------	------	--------	--------



- Asphalt cutting action to liberate the cover and allow lifting



Safety locking pin when tool not used



Safety rubber hilt avoids hand pinching

